



CAMERA LINK MACHINE VISION CABLES

PART NUMBER REFERENCE **M V C X X X I M**

Select Connector Type: End "1"

- | | |
|---|---|
| MDR Male Straight Exit - 1 | MDR Male Exit <i>LEFT</i> - 11 |
| MDR Female Straight Exit - 2 | HDR/SDR Female Straight Exit - 12 |
| MDR Male Low Profile R/A Exit <i>UP</i> - 3 | MDR Male R/A <i>UP</i> 135° Exit <i>LEFT</i> - 13 |
| MDR Male Low Profile R/A Exit <i>DWN</i> - 4 | MDR Male R/A <i>DWN</i> 135° Exit <i>LEFT</i> - 14 |
| HDR/SDR Male Straight Exit - 5 | 14P HDR/SDR PoCL Lite Straight Exit - 15 |
| HDR/SDR Male R/A Exit <i>UP</i> - 6 | MDR Latch Type Straight Exit - 16 |
| HDR/SDR Male R/A Exit <i>DWN</i> - 7 | HDR/SDR Male w/Rec'd Screws Exit <i>RIGHT</i> - 17 |
| MDR Male Ext. Profile R/A Exit <i>UP</i> - 8 | HDR/SDR Male w/Rec'd Screws Exit <i>LEFT</i> - 18 |
| MDR Male Ext. Profile R/A Exit <i>DWN</i> - 9 | HDR/SDR Male R/A <i>UP</i> Ext. Profile w/Rec'd Scr's - 19 |
| MDR Male Exit <i>RIGHT</i> - 10 | HDR/SDR Male R/A <i>DWN</i> Ext. Profile w/Rec'd Scr's - 20 |

Cable Type Options:

- | | | |
|------------------|-----------------|---------------|
| HIFLEX BLACK - 1 | 30 AWG - 3 | PoCL Lite - 5 |
| HIFLEX PoCL - 2 | 30 AWG PoCL - 4 | |

Select Connector Type: End "2"

- | | |
|---|---|
| MDR Male Straight Exit - 1 | MDR Male Exit <i>LEFT</i> - 11 |
| MDR Female Straight Exit - 2 | HDR/SDR Female Straight Exit - 12 |
| MDR Male Low Profile R/A Exit <i>UP</i> - 3 | MDR Male R/A <i>UP</i> 135° Exit <i>LEFT</i> - 13 |
| MDR Male Low Profile R/A Exit <i>DWN</i> - 4 | MDR Male R/A <i>DWN</i> 135° Exit <i>LEFT</i> - 14 |
| HDR/SDR Male Straight Exit - 5 | 14P HDR/SDR PoCL Lite Straight Exit - 15 |
| HDR/SDR Male R/A Exit <i>UP</i> - 6 | MDR Latch Type Straight Exit - 16 |
| HDR/SDR Male R/A Exit <i>DWN</i> - 7 | HDR/SDR Male w/Rec'd Screws Exit <i>RIGHT</i> - 17 |
| MDR Male Ext. Profile R/A Exit <i>UP</i> - 8 | HDR/SDR Male w/Rec'd Screws Exit <i>LEFT</i> - 18 |
| MDR Male Ext. Profile R/A Exit <i>DWN</i> - 9 | HDR/SDR Male R/A <i>UP</i> Ext. Profile w/Rec'd Scr's - 19 |
| MDR Male Exit <i>RIGHT</i> - 10 | HDR/SDR Male R/A <i>DWN</i> Ext. Profile w/Rec'd Scr's - 20 |

Option: Length in Meters

Physical:

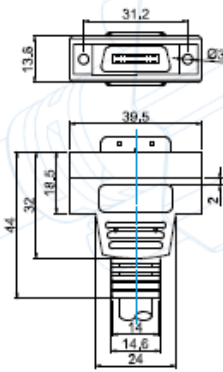
- | | |
|---------------------|--|
| Cable Color: | Black |
| Shell Color: | Black |
| Shell Construction: | Pre-molded in Polyethelene, fully shielded and over-molded in black PVC. |
| Cable Construction: | Meets Automated Imaging Association Camera Link Standard. Skew-within pair: 35 ps/m max Skew-channel skew per chipset: 50 ps/m max. All cables are Camera Link approved. |

CONNECTOR TYPE OPTIONS:

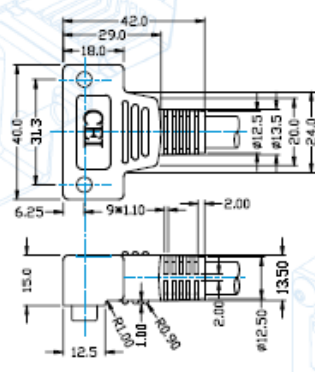


* Connector #12 & 16 are ONLY compatible with cable types 3 & 4.

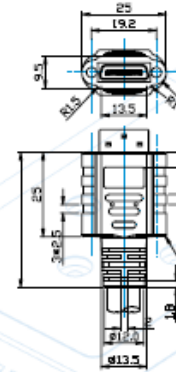
** Cable type 5 is ONLY compatible with connector #15.



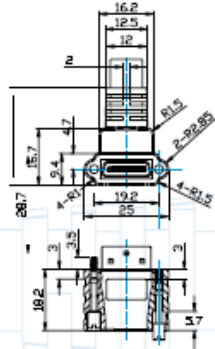
PROFILES 1 & 2



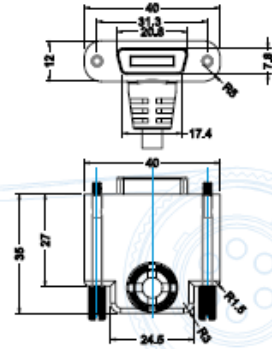
PROFILES 3 & 4



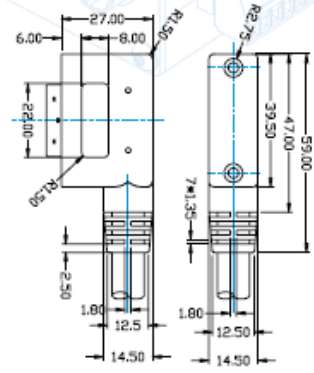
PROFILE 5



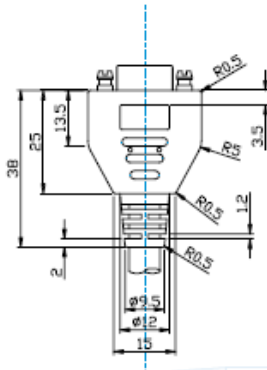
PROFILES 6 & 7



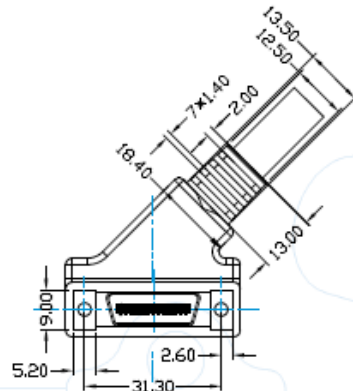
PROFILES 8 & 9



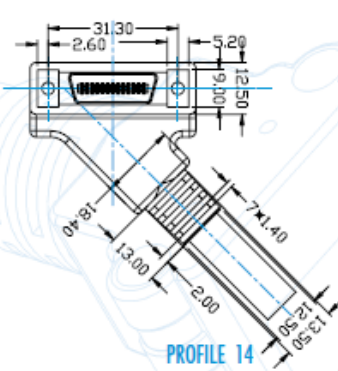
PROFILES 10 & 11



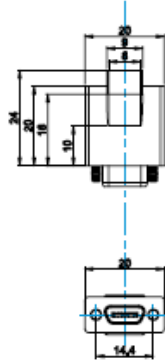
PROFILE 12



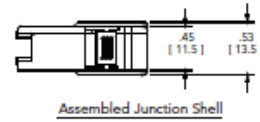
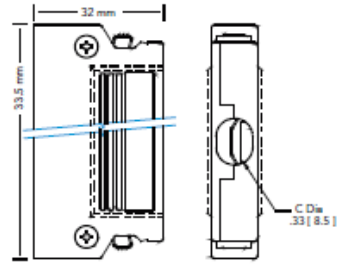
PROFILE 13



PROFILE 14

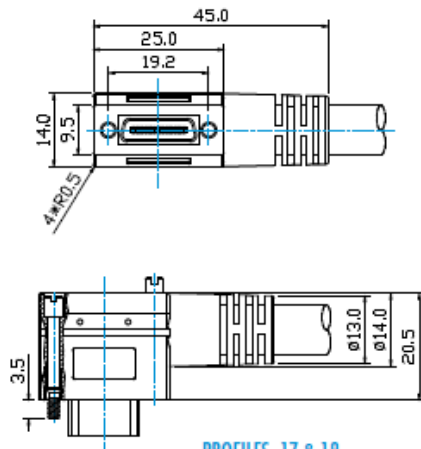


PROFILE 15

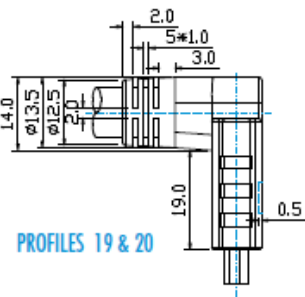
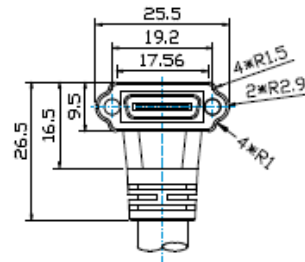


Assembled Junction Shell

PROFILE 16



PROFILES 17 & 18



PROFILES 19 & 20

