

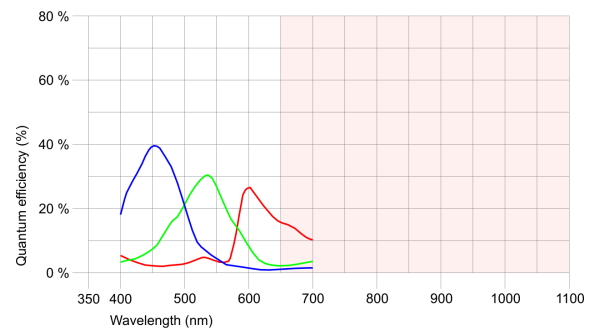
UI-1490SE-C-HQ



Specification

Sensor

Sensor Technology	CMOS Color
Manufacturer	Aptina
Resolution (MPix)	10.55
Resolution (h x v)	3840 x 2748
ADC	12 bit
Color depth (camera)	8 bit
Pixel Class	UHD+
Sensor Size	1/2
Shutter	Rolling shutter
max. fps in Freerun Mode	3.2
Binning Modes	Color
Subsampling Modes	Color
Sensor Model	MT9J003STC
Pixel size	1.67 μm
Optical Size	6.413 mm x 4.589 mm
Optical sensor diagonal	7.89 mm (1/2.03")



Design

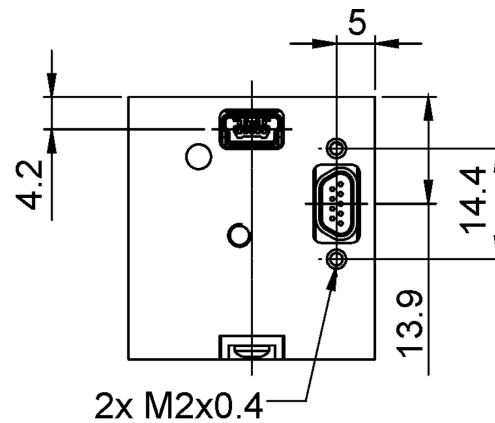
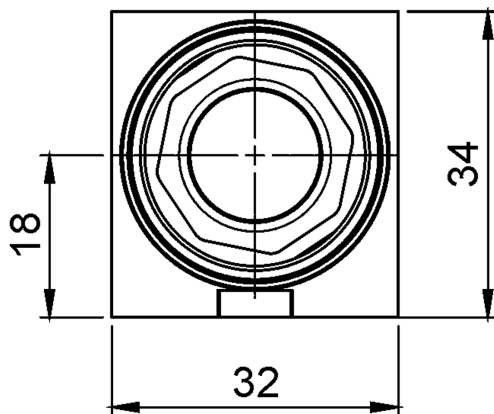
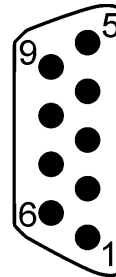
Interface	USB 2
Lens Mount	C-Mount
I/O In	1 x optodecoupled
I/O Out	1 x optodecoupled
I/O RS-232	-
I/O GPIO	-
I/O I ² C	-
IP code	IP30
Dimensions H/W/L	34.0 mm x 32.0 mm x 41.3 mm
Mass	65 g
Power supply	USB Cable

Subject to technical modifications

UI-1490SE-C-HQ

Pin assignment I/O connector

1	Digital output (-)
2	Digital input (+)
3	Shielding
4	USB Power supply (VCC) 5V
5	USB Ground (GND)
6	Digital output (+)
7	Digital input (-)
8	USB data (+)
9	USB data (-)



UI-1490SE-C-HQ

