

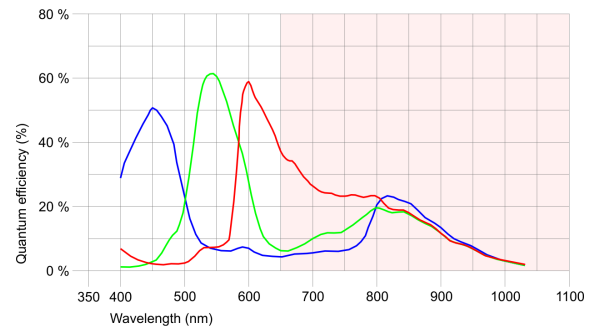
UI-3580CP-C-HQ



Specification

Sensor

| | |
|--------------------------|--------------------------------------|
| Sensor Technology | CMOS Color |
| Manufacturer | Aptina |
| Resolution (h x v) | 2560 x 1920 |
| Color depth (sensor) | 12 bit |
| Color depth (camera) | 12 bit |
| Pixel Class | 5 MP |
| Sensor Size | 1/2" |
| Shutter | Rolling shutter/Global start shutter |
| max. fps in Freerun Mode | 15.2 |
| Binning Modes | Color |
| Subsampling Modes | Color |
| Sensor Model | MT9P006STC |
| Pixel size | 2.2 μ m |
| Optical Size | 5.632 mm x 4.224 mm |



Design

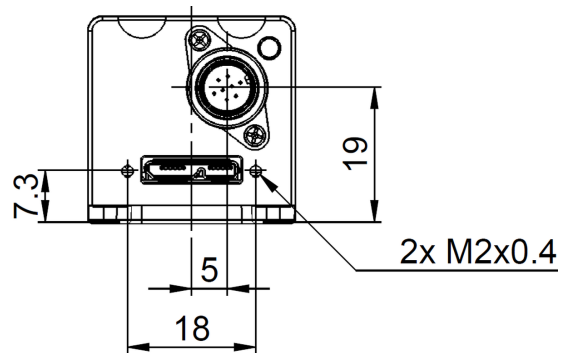
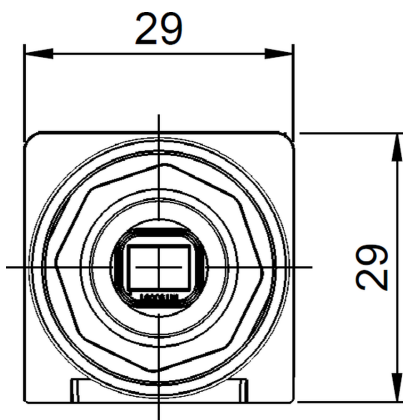
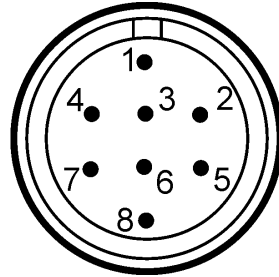
| | |
|------------------|-----------------------------|
| Interface | USB 3 |
| Lens Mount | C-Mount |
| I/O In | 1 x Opto-decoupled |
| I/O Out | 1 x Opto-decoupled |
| I/O RS-232 | 1 |
| I/O GPIO | 2 |
| I/O I2C | - |
| IP code | IP30 |
| Dimensions H/W/L | 29.0 mm x 29.0 mm x 29.0 mm |
| Mass | 44 g |
| Power supply | USB Cable |

Subject to technical modifications

UI-3580CP-C-HQ

Pin assignment I/O connector

| | |
|---|-----------------------------------|
| 1 | Ground (GND) |
| 2 | Flash output, opto-decoupled (-) |
| 3 | GPI01 |
| 4 | Trigger input, opto-decoupled (-) |
| 5 | Flash output, opto-decoupled (+) |
| 6 | GPI02 |
| 7 | Trigger input, opto-decoupled (+) |
| 8 | Output supply voltage, 5V (100mA) |



UI-3580CP-C-HQ

