



# ZEISS Dimension 2/25



## Features

- fast f/2 aperture
- excellent image quality, leading to highest data precision over the complete image field
- for industrial cameras up to sensor sizes of 4/3"
- robust full-metal construction made of aluminium
- small and compact
- possibility to adjust the back focal distance to compensate for tolerances of camera bayonets
- possibility for azimuthal adjustment ensures best possible readability of scales
- fixable focus and aperture settings
- optimized spectral transmission in VIS and near IR range through ZEISS T\* coating

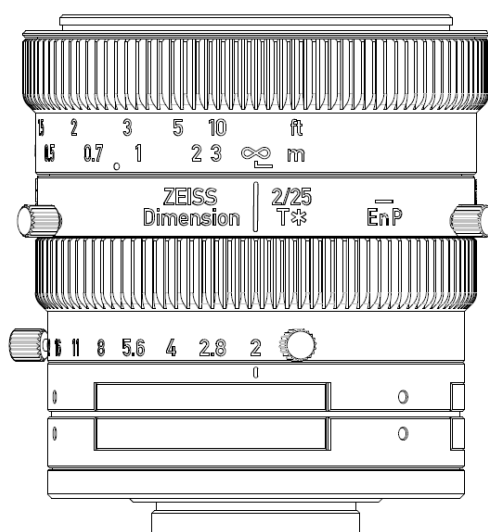
## Camera Mount

Available with  
C mount



# ZEISS Dimension 2/25

## Technical Specifications



### Optical data:

|   |   |
|---|---|
| Focal length  | 25 mm   |
| Aperture range  | f/2 – f/22 (continuous)   |
| Number of elements / groups                           | 13 / 8  |
| Focus range (object to sensor)                        | 231,9 mm (0.77 ft.) – ∞   |
| Min. free working distance                            | 152,5 mm (0.50 ft.)   |
| Angular field (diag. / horiz. / vert.)                | <b>1"</b> : 28.97°/19.54°/34.50°<br><b>4/3"</b> : 37.41°/28.55°/45.91°                            |
| Max. diameter of image field                          | <b>1"</b> : 16 mm (0.63"); <b>4/3"</b> : 21.64 mm (0.83")   |
| Flange focal length (in air)                          | 17,526 mm (0.69"), C mount  |
| Coverage at close range                               | <b>1"</b> : 133,9 mm x 88,7 mm (5,27 x 3,49")<br><b>4/3"</b> : 176,5 mm x 131,8 mm (6,95 x 5,19") |
| Image ratio at close range                            | 1:10  |
| Position of entrance pupil (relative to image sensor) | 63,8 mm (2.51")   |
| Position of exit pupil (relative to image sensor)     | 38,9 mm (1.53")   |

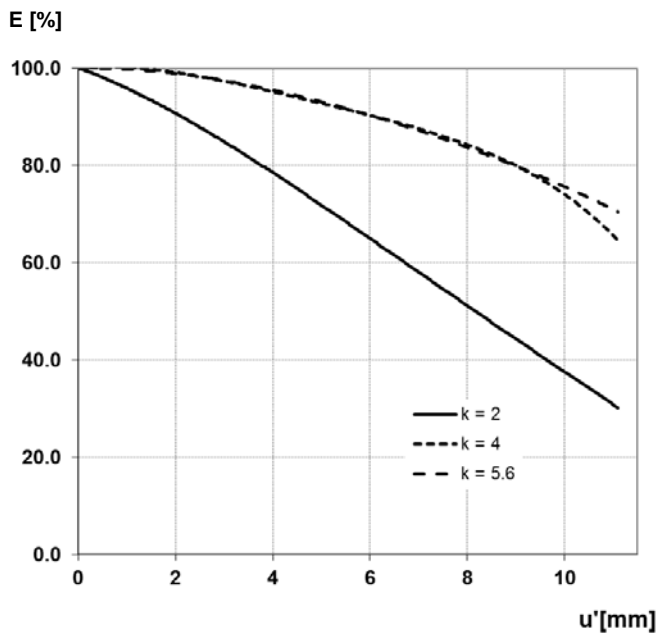
### Physical data:

|   |                  |
|---|------------------|
| Length (front to mount contact surface at inf.) | 60,0 mm (2.36")  |
| Length (front to mount contact surface at MOD)  | 60,0 mm (2.36")  |
| Diameter (lens only)                            | 57,0 mm (2.24")  |
| Diameter (with fixation screws)                 | 64,0 mm (2.52")  |
| Filter-thread                                   | M43 x 0.75       |
| Weight  | 283 g (0.62 lbs) |
| Camera mount                                    | C mount          |



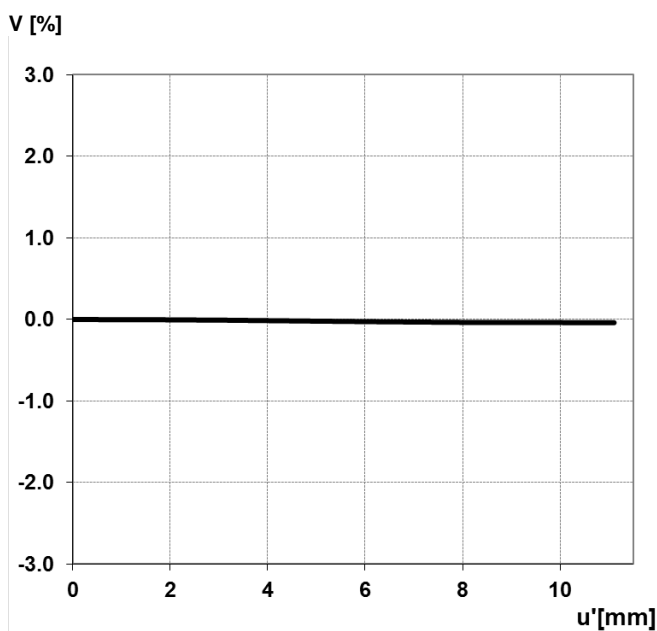
# ZEISS Dimension 2/25

## Relative Illuminance\*



The relative illumination shows the decrease in image brightness from the image center to the edge in percent.

## Relative Distortion\*



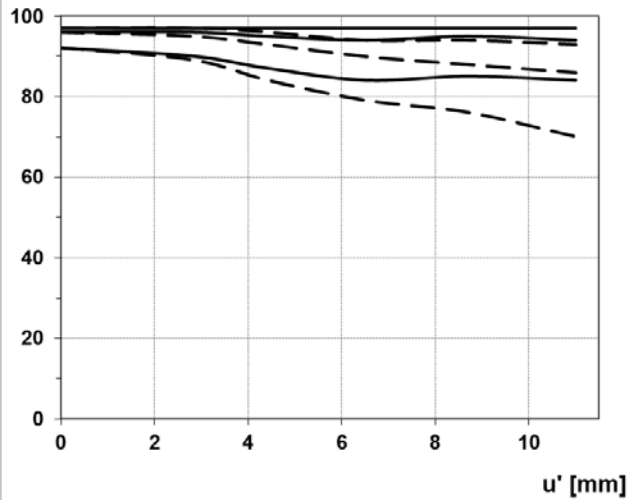
The relative distortion shows the deviation of the actual image height from the ideal one in percent.



# ZEISS Dimension 2/25

## MTF Charts\*

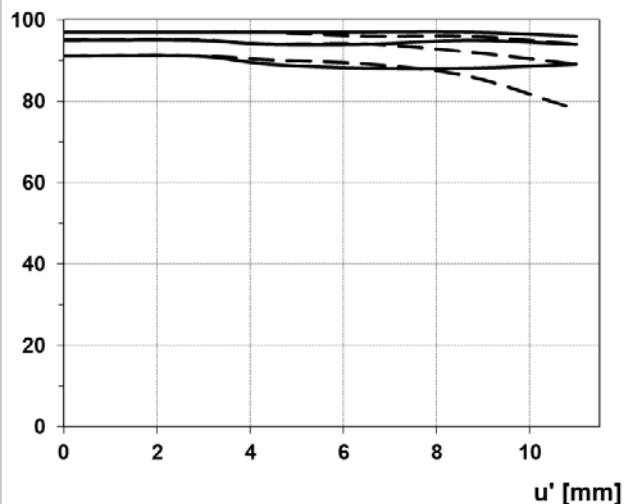
MTF [%]



The Modulation Transfer (MTF) as a function of image height ( $u$ ) and slit orientation (sagittal, tangential) has been measured with white light at spatial frequencies of  $R = 10, 20$  and  $40$  cycles/mm.

f-number 2  
— Sagittal  
-- Tangential

MTF [%]



f-number 4  
— Sagittal  
-- Tangential

\*Data for infinite focus setting



# ZEISS Dimension 2/25

## Spectral Transmission

